
Operating instructions and Spare parts list

Gun control unit OptiStar 4.0 (CG20/-C)



Translation of the original operating instructions

OptiStar CG20(-C) gun control unit

	OptiStar CG20 gun control unit – complete, without item 4	1015 201
	OptiStar CG20-C gun control unit – complete, without item 4	1015 202
1	Front plate – complete, see corresponding spare parts list	
2	Enclosure	
3	Backplate – complete, see corresponding spare parts list	
4	Cover	1015 249

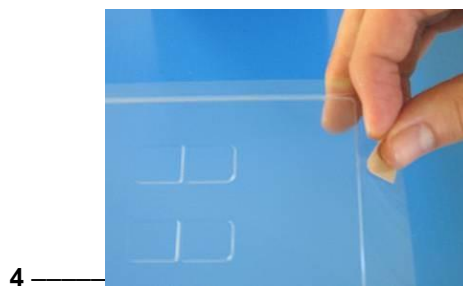


fig. 22

Front plate and power pack

	Front plate – complete (pos. 1-12)	1015 219
	Front plate with foil keyboard (pos. 5-8)	1015 218
1	OptiStar Mainboard – complete	1015 221
2	Spacer sleeve – Ø 3.1/6x15 mm	
3	PCB "Powerboard" – complete	1015 223
4	Spacer sleeve – Ø 3.2/6x7 mm	
5	Front frame – complete (incl. pos. 5.1)	1015 232
5.1	Screw	1007 019
6	Screw – M4x16 mm	1013 925
7	Front plate gasket	1015 236
8	Membrane keypad with carrier plate	1015 217
9	Spacer sleeve – Ø 3.6/7x5 mm	
10	Display	1015 220
11	Washer – Ø 3.2/7x0.5 mm	
12	Locknut – M3	
13	Power pack – 24 VDC	1009 849

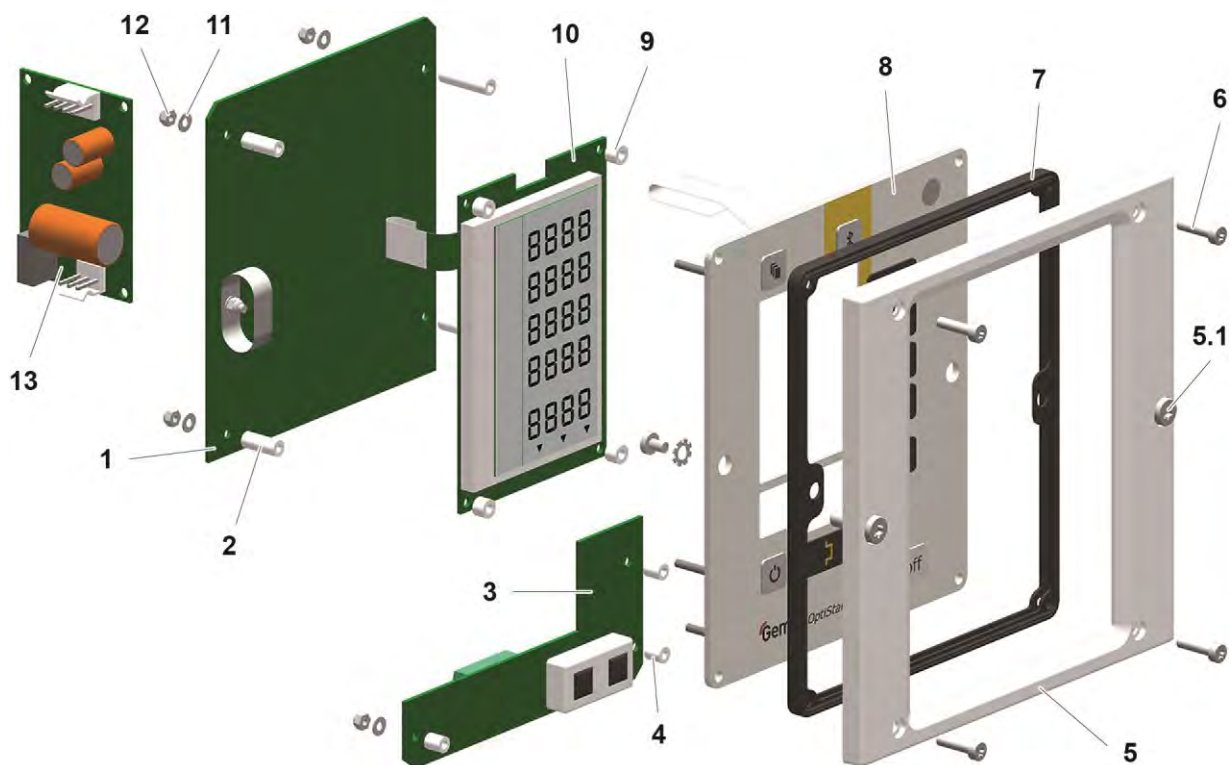


Fig. 23

Inside back plate

1	Back plate gasket	1015 198
2	CAN bus module – complete	1015 234
3	Elbow plug-in connection – Ø 8-Ø 8 mm	230 995
4	Solenoid valve – Ø 8-Ø 8 mm, 24 VDC	1003 914
5	O-ring – Ø 12x1.5 mm, NBR70	261 416
6	Motor throttle – complete	1000 064
7	O-ring – Ø 8x4 mm, NBR70	1001 521
8	Fluidizing pad – 1/8"	237 264
9	Screw – M4x16 mm	1013 925
10	Plastic tube – Ø 8/6 mm	103 152*

* Please indicate length

Inside back plate

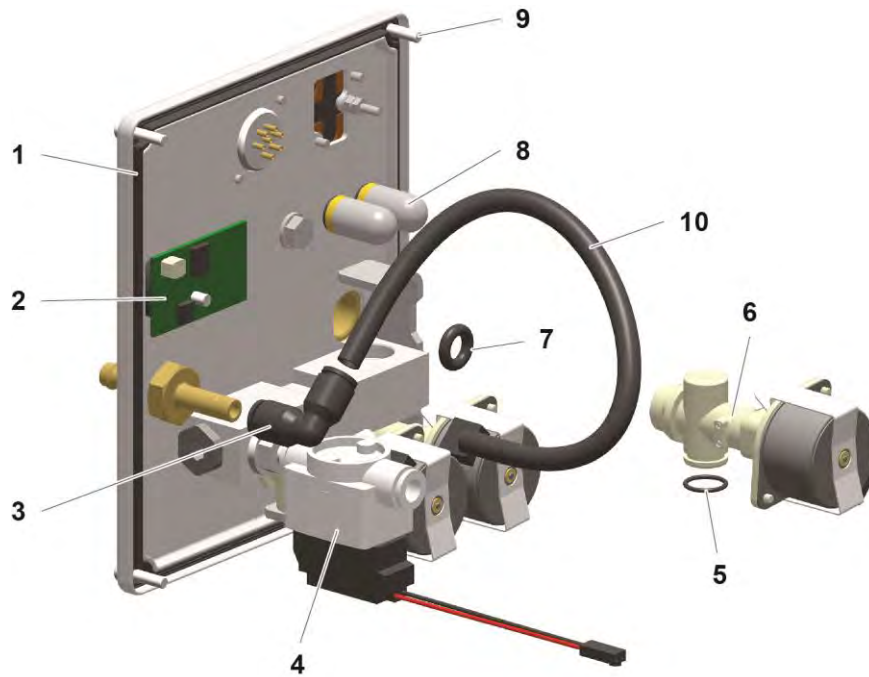


Fig. 24: OptiStar CG20-C

Connecting material

1	Quick release connection – NW5, Ø 6 mm	200 840
1.1	Hose – Ø 6/4 mm	103 144*
2	Nut with kink protection – M12x1 mm, Ø 8 mm	201 316
2.1	Supplementary air hose – Ø 8/6 mm (black)	103 756*
2.2	Quick release coupling for supplementary air hose – NW5-Ø 8 mm	261 637
3	Nut with kink protection – M12x1 mm, Ø 8 mm	201 316
3.1	Conveying air hose – Ø 8/6 mm (red)	103 500*
3.2	Quick release coupling for conveying air hose – NW5-Ø 8 mm	261 645
4	Quick release connection – NW5-Ø 8 mm	203 181
4.1	Hose – Ø 8/6 mm	103 756*
6	CAN bus cable – 0.5 m	1002 655
	CAN bus cable – 4.5 m	387 592
	CAN bus cable – 5.5 m	388 521
	CAN bus cable – 6.0 m	388 530
7	Bus terminal resistor (not shown)	387 606
8	Connecting cable – 12 pins, 1.5 m	1000 991
	Connecting cable – 12 pins, 2.2 m	393 398
	Connecting cable – 12 pins, 5 m	1000 975
	Connecting cable – 12 pins, 10 m	1000 976
	Connecting cable – 12 pins, 15 m	1000 977
	Connecting cable – 12 pins, 20 m	1000 978
9	Mains cable – 4.5 m	1002 563

* Please indicate length

Connecting material

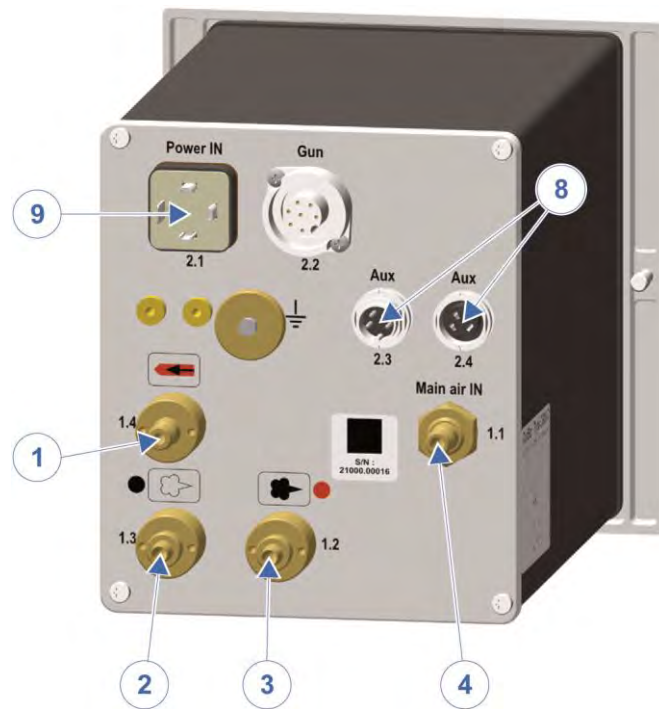


Fig. 25